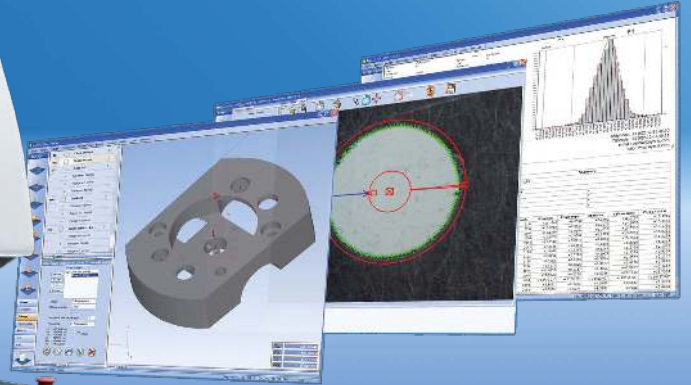


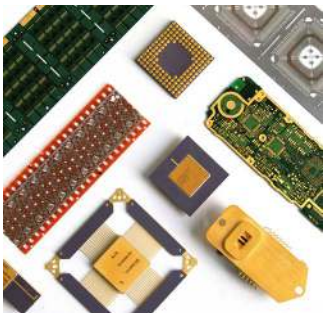


DELTEC LEOS 200 - 300

3D automatic measuring system Multi sensors



The machine runs with «Deltec Suite »
A software dedicated to tri-dimensional metrology, traceability and management of controls



DPM: a unique system to detect various parts by shape learning



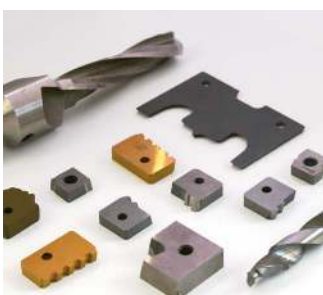
- This machine is fitted with all of the tools you need for your tridimensional metrology (software and 3D structure)

- Suitable for all controls: First part, process, laboratory, at entrance, at exit, during production ...

- Programming by self-learning

- Automatic control of parts (single or multiple, by step and repeat)

- Ergonomic workstation with one or two screen(s)



Specifications & features

Structure (LEOS 200 / 300):

- Structure made of aluminum alloys
- Measurement capabilities (L, P, H): 200 x 200 x 150 mm / 200 x 300 x 150 mm
- Loading up to 10 kg
- Crossed rollers guides
- Encoder's resolution: 0.5 μm
- X, Y, Z speeds: 75 mm/s maximum

Accuracy of measurements:

- XY E2: $(2.5+5L/1000)$ μm (vision, sensor)
- Z E1: $(4+5L/1000)$ μm (vision)
- Z E1: $(2.4+5L/1000)$ μm (sensor)

Vision :

- HD B&W digital camera 1.3 MP (option 5 MP)
- Programmable lighting devices:
 - Episcopic lighting (white LED)
 - Coaxial lighting
 - Diascopic lighting (green LED)
- Motorized zoom lens (6 indexed positions)
- Magnifications X30 to X200 (for guidance with full screen display 24")
- Second camera, with wide field for an automatic control of multi parts
- Positioning eased thanks to laser pointing

Tactile (option):

- Renishaw® TP200
- Chargeur de stylets 3 positions

Confocal (option):

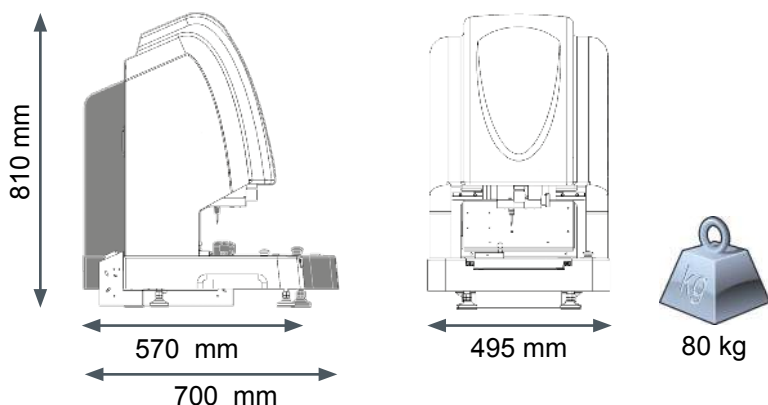
- « Confocal » chromatic technology
- Measuring pencils: 1.4, 4 and 12 mm

Computer:

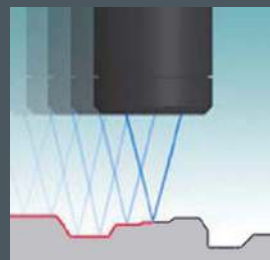
- CPU INTEL Core I5, 4 Go, HDD 300 Go
- Screens 2 x 21" TFT
- OS Windows 7 / 32 bits
- Software: Deltec Suite™

Conditions of use:

- Power supply: 600VA, 220V, 50 or 60Hz
- Temperature range for high accuracy: $\theta_0 \pm 1^\circ\text{C}$
(θ_0 : ambient and calibration temperature. Standard temperature θ_0 : 20°C)
- Operating temperature: 15 to 35°C



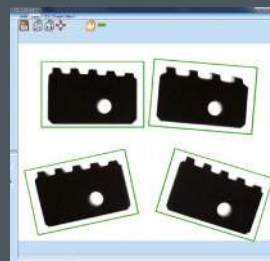
3D



Confocal



Multi sensors



Control of multiple parts



2 screens display

AYONIS
MÉTROLOGIE-VISION

Centre d'affaires
Jules Audresset
Rue du Port
27400 Louviers - France

Tél : +33 (0)2 32 61 46 10
Fax: +33 (0)9 71 70 30 02
central@ayonis.com
www.ayonis.com